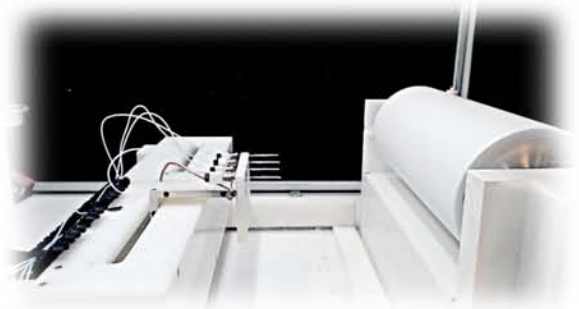
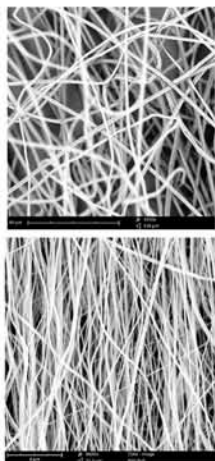


LAB- ELECTROSPINNING UNIT

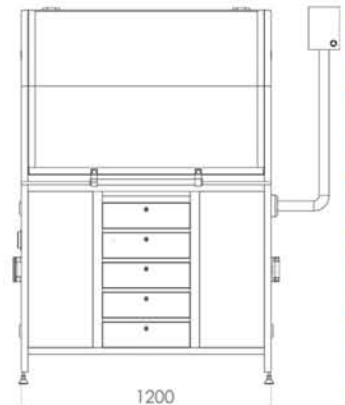
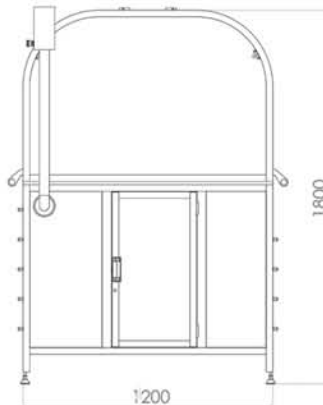


DESCRIPTION

Lab Electrospinning Unit is a useful and versatile machine equipped with a linear sliding spinneret and a rotating collector. The machine is provided with a syringe pump feeding system and a High Voltage power supply up to 35 kV. The machine control is a PLC system integrated which allows all the process operations thanks by a full touch screen panel. The inside of machine and components are made of chemical resistant plastic to minimize the interaction with electrical field and solvents instead the frame is made of anodized aluminium and polycarbonate panels.



Example of random and aligned fibers collected by Lab-Unit system



DISCLAIMER: The contents and information contained in this brochure are intended for general marketing purposes only and should not be relied upon by any person as being complete or accurate.

MIB srl will not accept any liability suffered or incurred by any person arising out of or in connection with any reliance on the content of or information contained in this brochure.



MIB srl SOCIETÀ BENEFIT

Bologna (Italy)

info@mib40.com

TECHNICAL DATA

GENERAL

High speed rotating collector
Multijet linear sliding unit
HV Generator: 35 kV
Syringe Pump (customizable)
High-tech control panel, full touch-screen

THECA

Anodized aluminum case: 1200x1200x1800 mm
Profiles connection to ground to get Faraday cage
Transparent walls made of unbreakable shatter-proof of polycarbonate.
Two doors for machine set-up

ACCESSORIES

Syringe of different size
Tip cap for syringe
Fittings tube
Needles

SAFETY

CE compliant (3rd party verified)
Shut-off switches in access doors

POLYMERS

The system is suitable to process both water and non-water soluble polymers

ACCESSORIES ON DEMAND

Exhaust ventilation system
Different diameters and materials for drum collectors

CONTACT INFO

MIB srl SOCIETÀ BENEFIT

Via I. Bandiera, 14/C
40050 Monte San Pietro
(Bologna), Italia

info@mib40.com

VAT IT04073441208

DISCLAIMER: The contents and information contained in this brochure are intended for general marketing purposes only and should not be relied upon by any person as being complete or accurate.

MIB srl will not accept any liability suffered or incurred by any person arising out of or in connection with any reliance on the content of or information contained in this brochure.



MIB srl SOCIETÀ BENEFIT

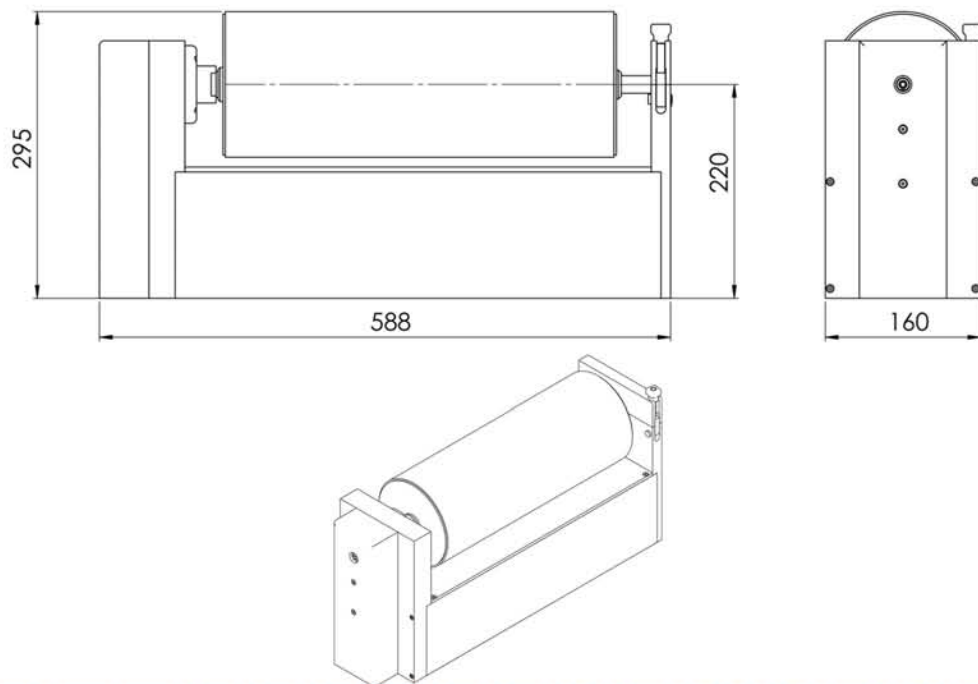
Bologna (Italy)

info@mib40.com

LAB- ELECTROSPINNING UNIT

DRUM COLLECTOR TECHNICAL DATA

Drive Motor	Brushless Motor
Drive Control	PLC
Max Rotating Speed	4300 rpm (depending by drum dimensions)
Case material	POM
Diameter Collector Dimensions	Collector 1: $\phi 150$ mm Collector 2: $\phi 70$ mm Customizable (min $\phi 40$ mm - max $\phi 150$ mm)
Length Collector Drum	405 mm
Collector Material	Aluminium (customizable)
Collector Grounded	Yes
Regulatory Certification	CE compliant (3 rd party verified)



CONTACT INFO

MIB srl SOCIETÀ BENEFIT

Via I. Bandiera, 14/C
40050 Monte San Pietro
(Bologna), Italia

info@mib40.com

VAT IT04073441208

DISCLAIMER: The contents and information contained in this brochure are intended for general marketing purposes only and should not be relied upon by any person as being complete or accurate.

MIB srl will not accept any liability suffered or incurred by any person arising out of or in connection with any reliance on the content of or information contained in this brochure.



MIB srl SOCIETÀ BENEFIT

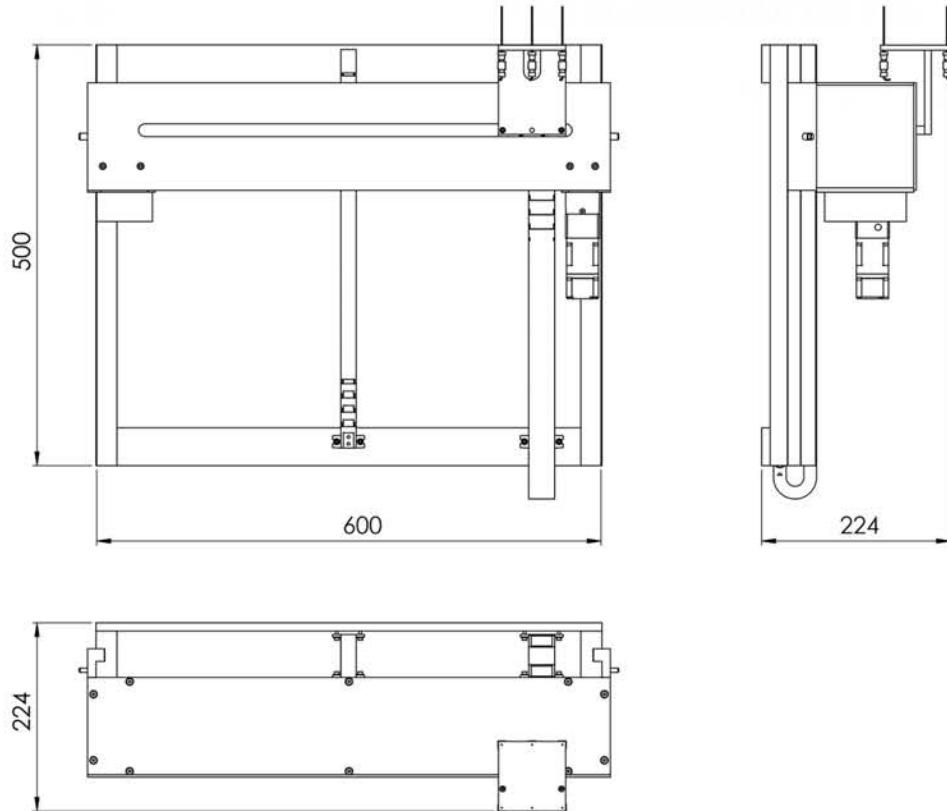
Bologna (Italy)

info@mib40.com

LAB- ELECTROSPINNING UNIT

SLIDING UNIT TECHNICAL DATA

Drive Motor	Brushless Motor
Drive Control	PLC
Max Traslating Speed	2 m/min
Max Stroke	420 mm
Case material	POM
Number needle	Max 6



CONTACT INFO

MIB srl SOCIETÀ BENEFIT

Via I. Bandiera, 14/C
40050 Monte San Pietro
(Bologna), Italia

info@mib40.com

VAT IT04073441208

DISCLAIMER: The contents and information contained in this brochure are intended for general marketing purposes only and should not be relied upon by any person as being complete or accurate.

MIB srl will not accept any liability suffered or incurred by any person arising out of or in connection with any reliance on the content of or information contained in this brochure.



MIB srl SOCIETÀ BENEFIT

Bologna (Italy)

info@mib40.com