

ADJUSTABLE STAND SUPPORT



* SINGLE NEEDLE HOLDER



** MULTIPLE NEEDLE HOLDERS WITH MANIFOLD

DESCRIPTION

Adjustable stand support is a multiple system with a base and a vertical rod in which another horizontal rod can translate. On this horizontal rod the needle holder can be moved and rotated as required. All components are made of solvent resistant plastic material.

The position of the horizontal rod and of the needle holder can be manually adjusted in different positions as follows:

- vertical regulation of horizontal rod, Figure 5 (a);
- rotation of the horizontal rod around the vertical rod, Figure 5 (b);
- horizontal regulation of the needle holder, Figure 5 (c);
- rotation of the needle holder around the horizontal rod Figure 5 (d).

The system can be extended with other needle holder, up to 3, and for this purpose the system can be integrated with a manifold to optimize the polymer solution flow.



*** NEEDLE HOLDER



**** MANIFOLD

DISCLAIMER: The contents and information contained in this brochure are intended for general marketing purposes only and should not be relied upon by any person as being complete or accurate.

MIB srl will not accept any liability suffered or incurred by any person arising out of or in connection with any reliance on the content of or information contained in this brochure.



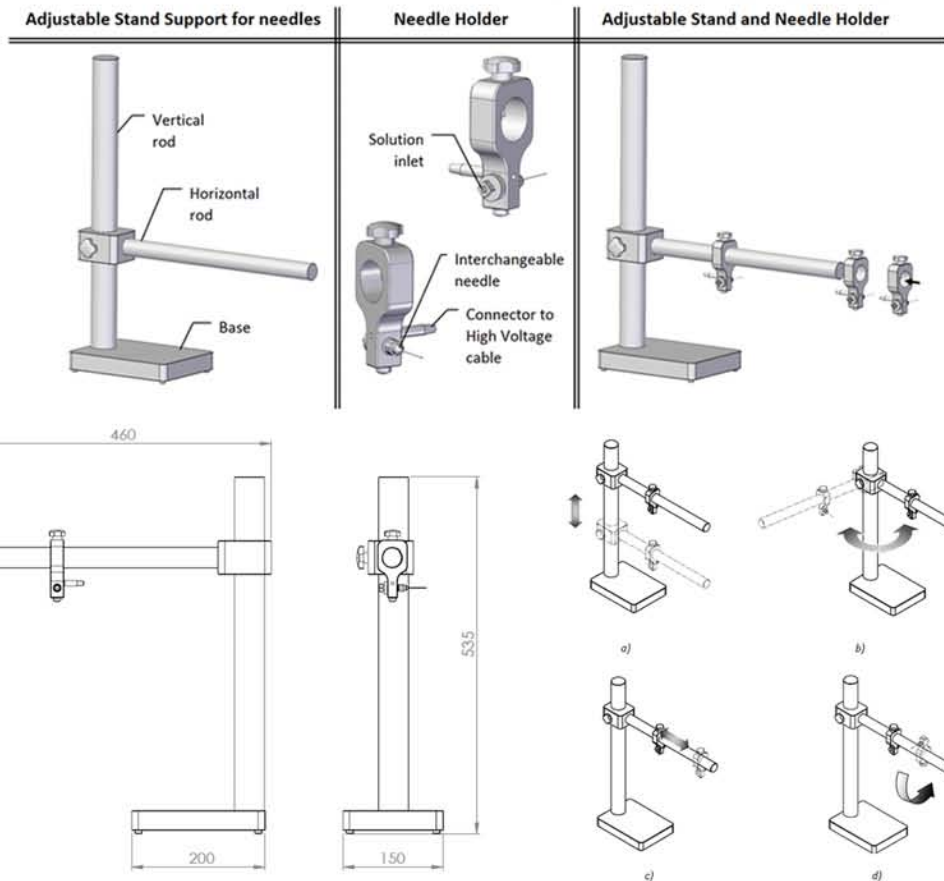
MIB srl SOCIETÀ BENEFIT

Bologna (Italy)

info@mib40.com

TECHNICAL DATA

- Stroke 400 mm
- Needle Holder (up to 3 with manifold integration)
- Connector to High Voltage Cable
- Interchangeable Needle
- Material: POM
- Adjustable Position with knob



CONTACT INFO

MIB srl SOCIETÀ BENEFIT

Via I. Bandiera, 14/C
40050 Monte San Pietro
(Bologna), Italia

info@mib40.com

VAT IT04073441208

DISCLAIMER: The contents and information contained in this brochure are intended for general marketing purposes only and should not be relied upon by any person as being complete or accurate.

MIB srl will not accept any liability suffered or incurred by any person arising out of or in connection with any reliance on the content of or information contained in this brochure.



MIB srl SOCIETÀ BENEFIT

Bologna (Italy)

info@mib40.com